




Edgecombe-Martin County
Electric Membership Corporation

A Touchstone Energy® Cooperative 

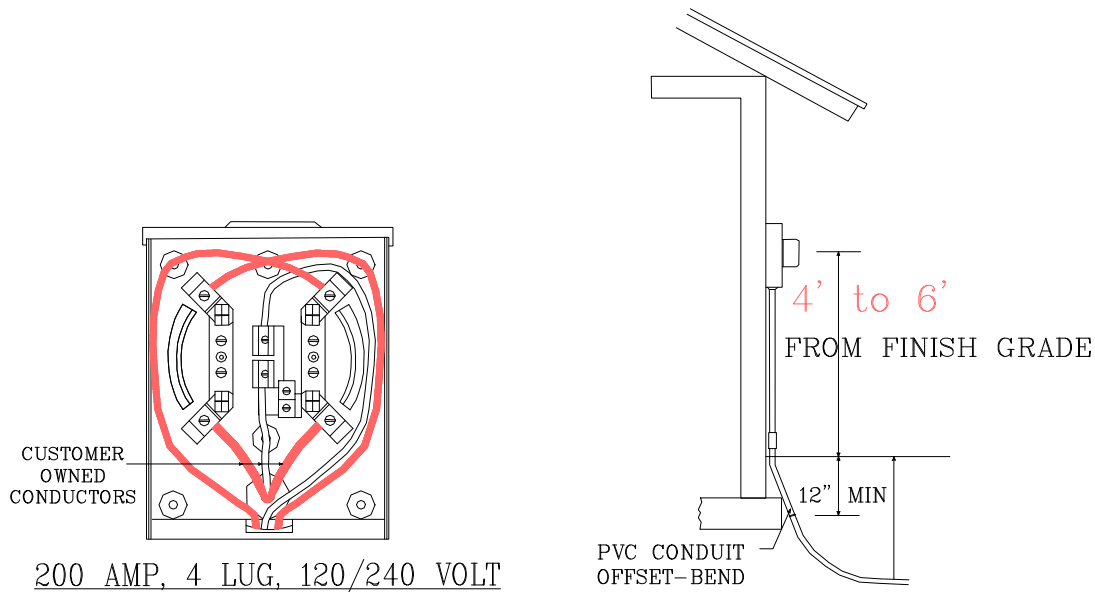
Meter Base Installation Requirements

I. General Requirements

- Service will not be connected without an inspection from a local county inspector. Electric service may be denied if these requirements are not met, regardless of local inspection.
- Complete installation to be sized and installed in accordance with the National Electric Code (NEC).
- Member to own and install service ground(s) to comply with the NEC.

II. Single Phase

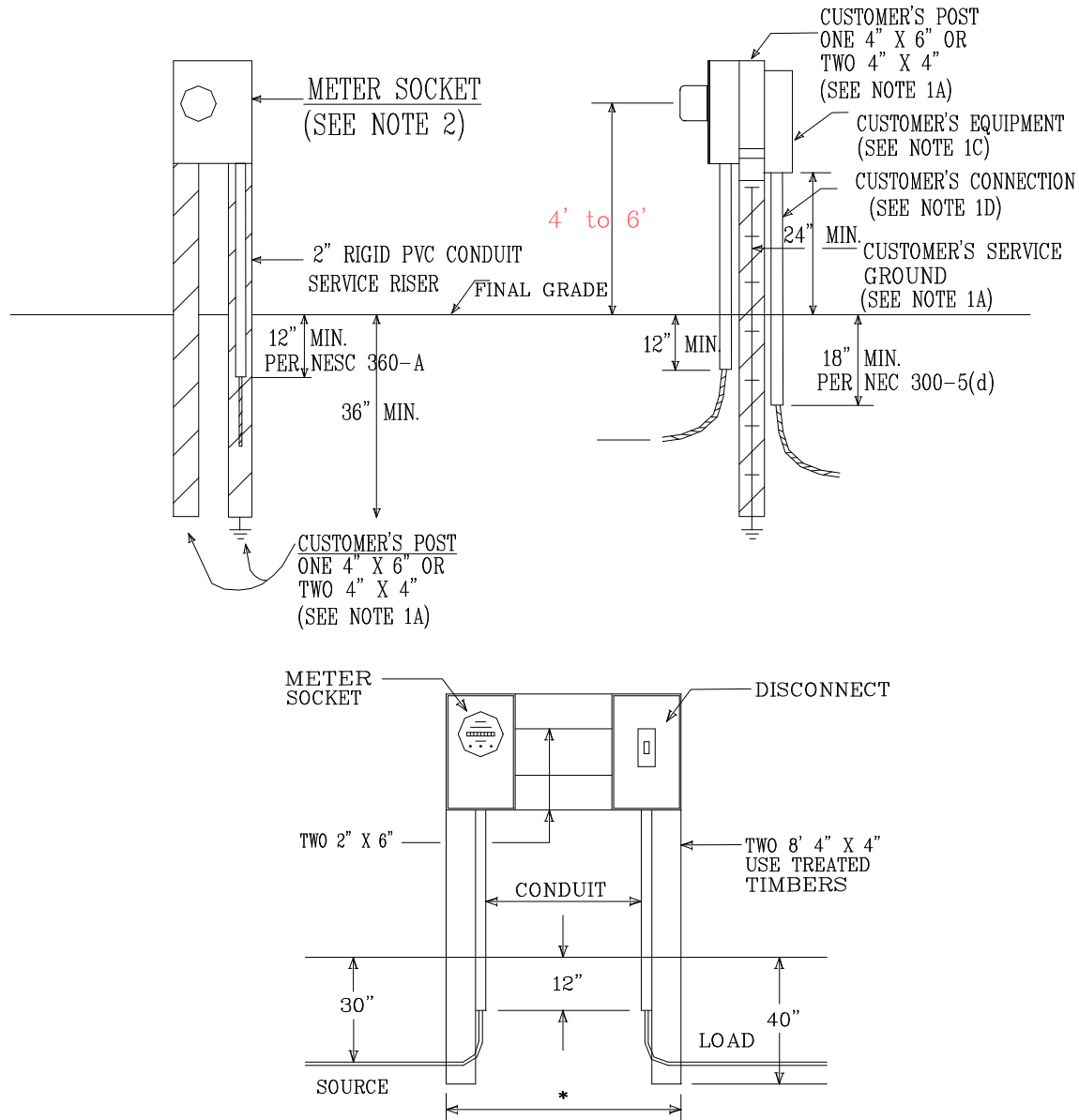
A. 200 Amp Underground



Notes:

- Bottom of trench must be firmly tamped near building. Cable must be positioned firmly against bottom of trench during backfilling.
- Where a meter base is mounted under a deck, there must be a minimum of 6 feet of clearance from bottom of deck joist to finish grade.
- Meters must not be located in carport or area planned for future expansion.
- Point of delivery is where EMCEMC conductors connect to the line side lugs of the meter base.
- When a meter base is mounted over a deck, it must be 4' to 6' from floor of deck with appropriate size conduit extending below the deck.
- On all underground installations, bottom of meter base must remain clear to allow for EMCEMC conductors to be installed.

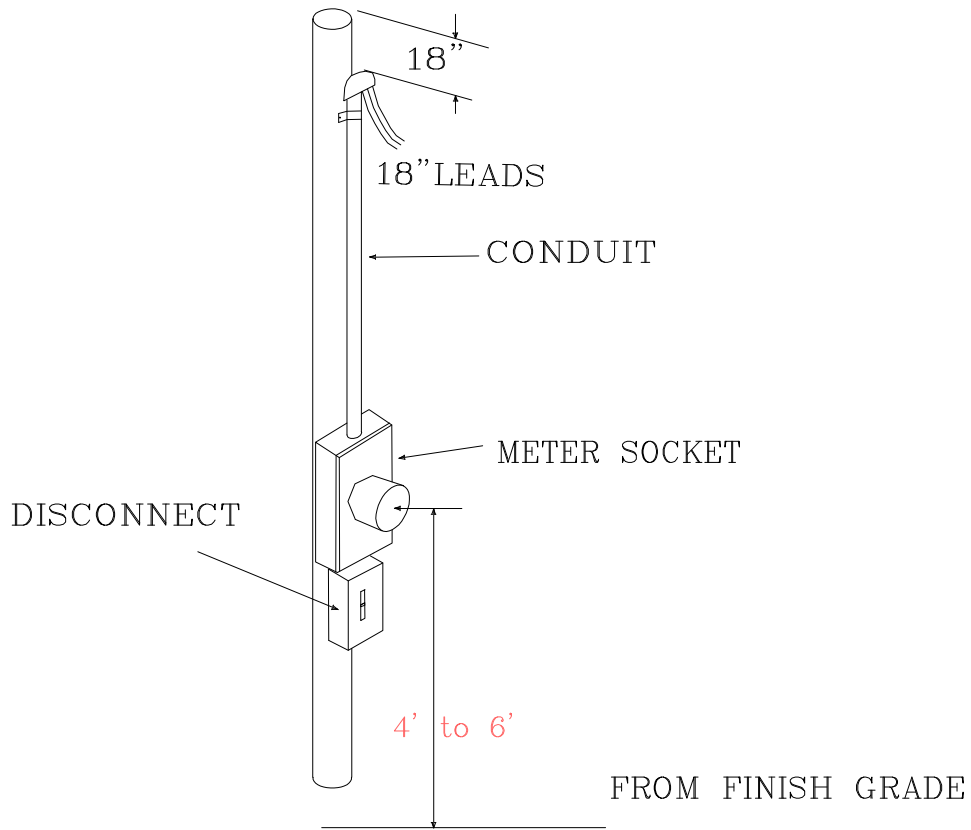
B. 120/240 Underground Pedestal



Notes:

- This will include services to signs, pumps, mobile homes, and any other service requiring a pedestal.
- Member will furnish and install the following:
 - One 4"x6" or two 4"x4" treated post suitable to EMC/EMC, 18" from any structures. Metering equipment shall face away from any structure, such that the meter is easily readable and accessible.
 - Service ground in accordance with NEC.
 - All equipment, mounting heights, and clearances beyond the meter socket in accordance with the NEC.
 - All connections to the mobile home in accordance with the NEC.
- Meter socket to be installed by Member.
- On all underground installations the bottom of the meter base must remain clear to allow for EMC/EMC conductors to be installed.

C. 120/240 Meter Pole

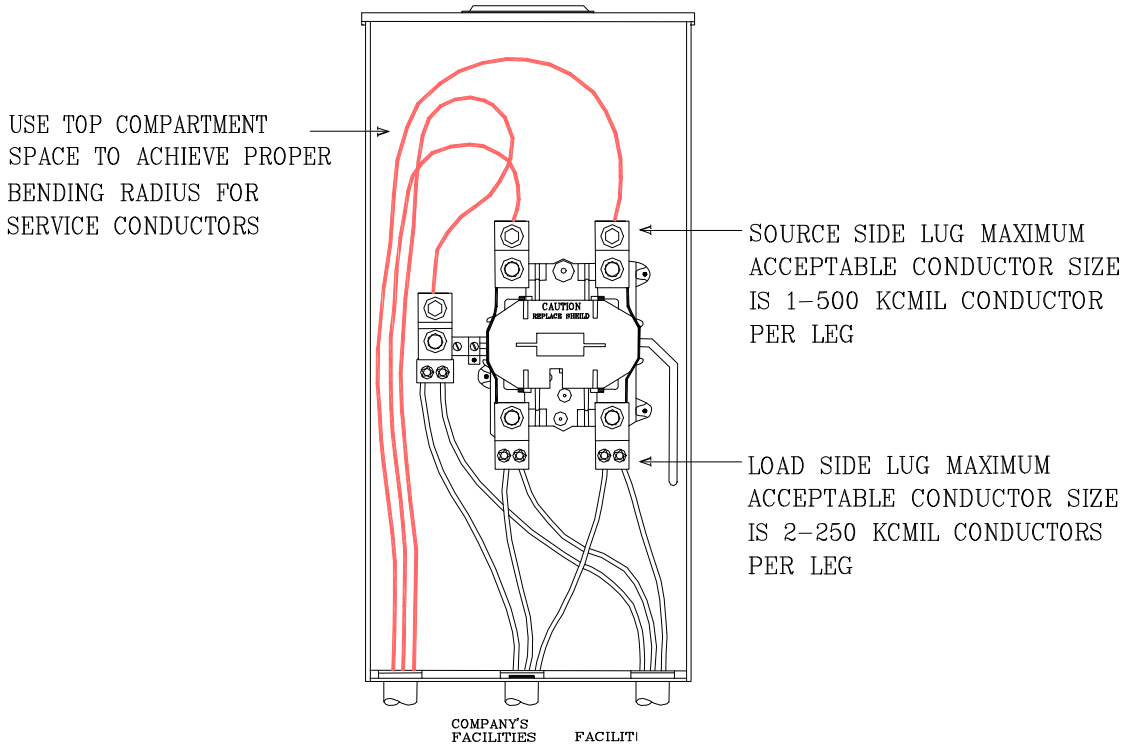


O.H. SERVICE – METER POLES

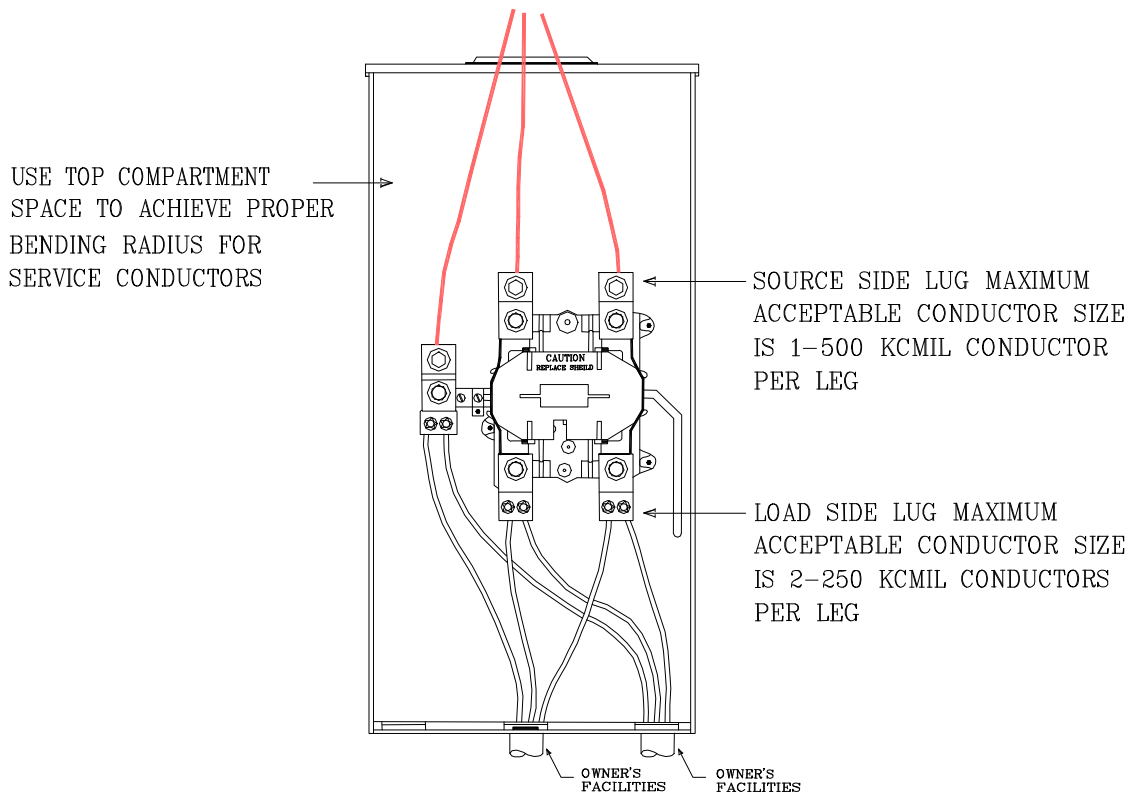
Notes:

- For typical 30' pole the riser length will be 20'.
- The member will furnish and set a meter pole.
- The member's electrician must completely wire the pole and meter socket leaving 18" leads out of the weatherhead near the top of the pole.
- For safety reasons, the pole is to be kept free of all obstructions such as antennas, basketball goals, etc.

D. 320 Amp Self-contained



Underground Installation



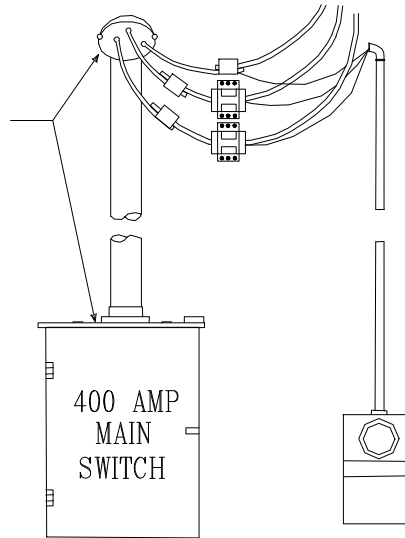
Overhead Installation

Notes:

- Minimum meter base dimensions:
 - Width: 13"
 - Height: 31"
 - Depth: 5"
- Meter base can be used with services where the main breaker is rated at 225, 250 or 300 amps, or with no more than two breaker panels whose combined main breaker rating does not exceed 400 amps.
- On all underground installations the bottom of the meter base must remain clear to allow for EMCEMC conductors to be installed.
- Meter base to be installed by Member.

E. Larger than 400 Amp

SERVICE ENTRANCE
AND MAIN SWITCH
TO BE FURNISHED
AND INSTALLED BY
CUSTOMER AT
LOCATION APPROVED
BY COMPANY'S
ENGINEER.



Notes:

- Service entrance and main switch to be furnished and installed by member.
- Service drop connections, current transformers, meter socket, weatherhead, and meter wiring to be installed by EMCCEM at members expense.

F. Single or Multi-Gang

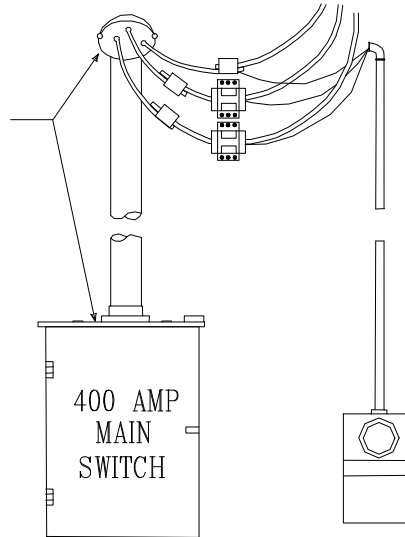
Notes:

- Service entrance conductors and conduit are the property of the building owner and are to be furnished and installed at the owner's expense. Approved ganged meter sockets to be installed by owner on the outside of the building and bonded to the neutral.
- If any individual services require a meter socket greater than 200 amp capacity, a panel of greater capacity should be used.
- Weatherhead on buildings to extend above designated point of attachment of overhead service drop.
- Label each socket cover and the inside of the socket with the service identification (unit number, letter, address).

III. Three Phase

A. Larger than 400 Amp

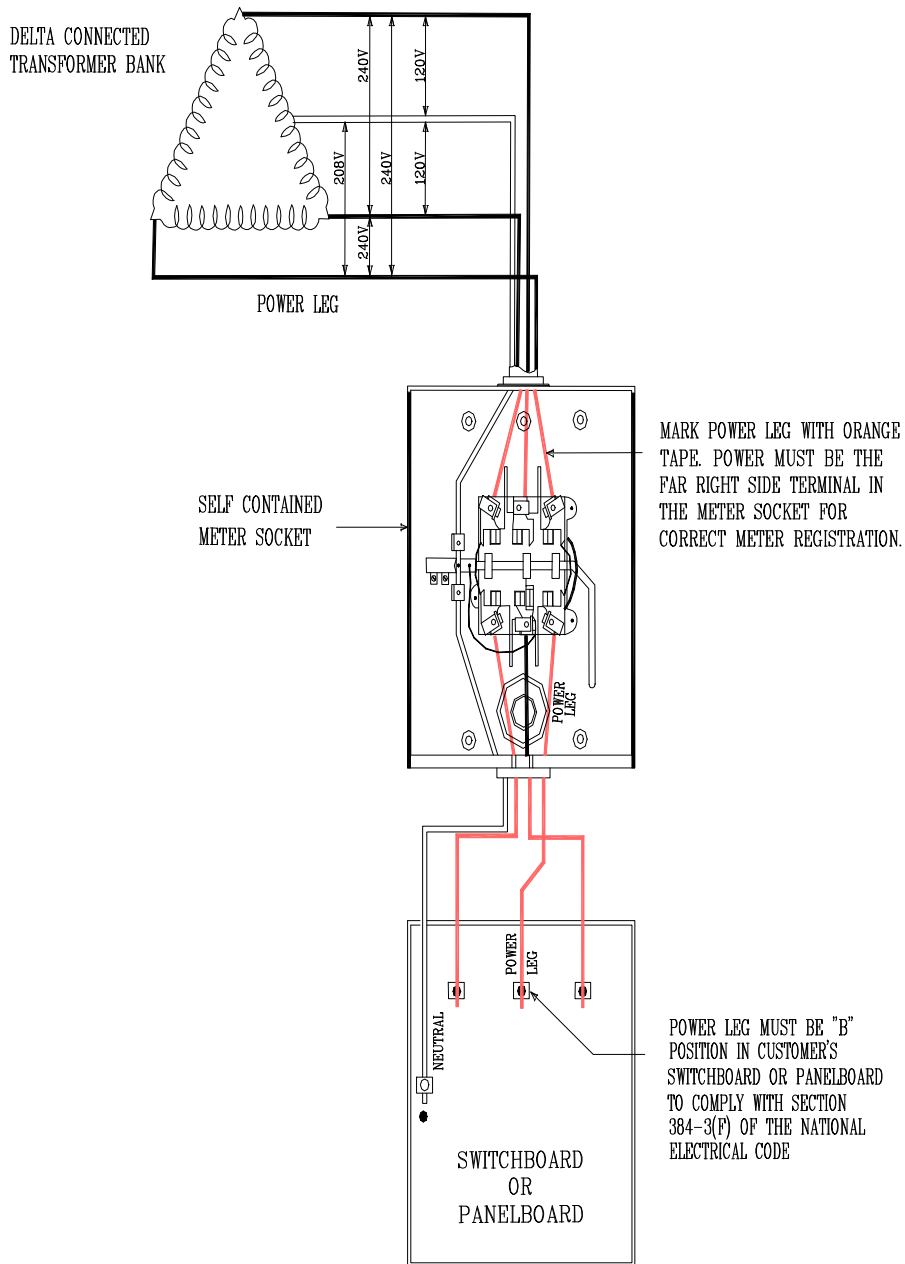
SERVICE ENTRANCE
AND MAIN SWITCH
TO BE FURNISHED
AND INSTALLED BY
CUSTOMER AT
LOCATION APPROVED
BY COMPANY'S
ENGINEER.



Notes:

- Service entrance and main switch to be furnished and installed by member.
- Service drop connections, current transformers, meter socket, weatherhead, and meter wiring to be installed by EMCEMC at members expense.

B. 120/240/208 High Leg Self-Contained



Notes:

- Install socket with by-pass handle in the down position.
- The by-pass handle can be but in the up or closed position for meter removal, testing, etc.
- The cover can be installed and sealed with the by-pass handle in the down or up position.
- The by-pass handle is a bent type or an octagonal shaped removable screw type. Do not cut-off this bent or removable by-pass handles.